



# THE WIRE MESH BELT COMPANY

"Custom Woven Belts since 1966"

170 Summerlea Road, Brampton, Ontario, Canada L6T 4X3

www.wiremeshbelt.com

sales@wiremeshbelt.com

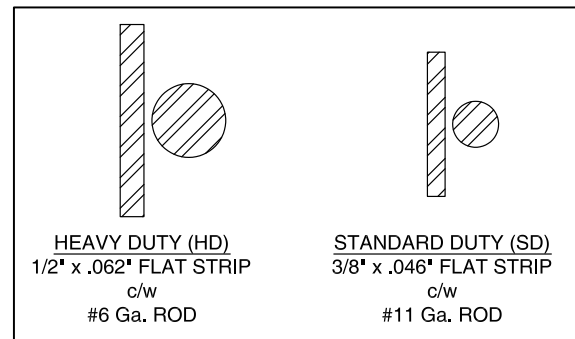
TEL: (905) 791-5400 FAX: (905) 791-5481

## FLAT WIRE BELT SPECIFICATION FORM -STRAIGHT RUNNING-

COMPANY NAME:		ATTENTION:	
COMPANY ADDRESS:		SPECIAL REQUIREMENTS:	
EMAIL ADDRESS:		(ex. PIN ROLL OR SPROCKET DRIVE)	
TEL NO.:			
FAX NO.:			

BELT SPECIFICATION	
BELT WIDTH	
NO. OF OPENINGS	
BELT LENGTH	
BELT MATERIAL	
EDGE FINISH	
BELT DUTY	
LATERAL PITCH	
LONGITUDINAL PITCH	
OPENING WIDTH	

### BELT DUTY COMPARISON



### FLAT WIRE & CROSS ROD PITCH MEASURING

