

NO	DATE	REVISION	BY
----	------	----------	----

SUPPORTS CAN BE BOLTED OR PLUG WELDED TO UNDERSIDE OF MESH SEE NOTE #2

"E" [SUPPORT CENTERS]

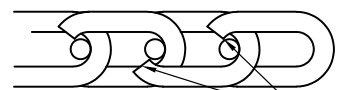
"F" BOLTED [B] OR PLUG WELDED [PW]

REFER TO "BSP" DRAWINGS FOR MESH SPECIFICATION

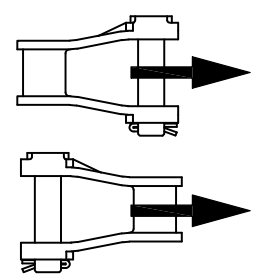
"D" [CHAIN PITCH]

PLEASE NOTE: MESH AND CHAIN ARE REPRESENTATIONAL

PLEASE SPECIFY ATTACHMENT STYLE IN CHART

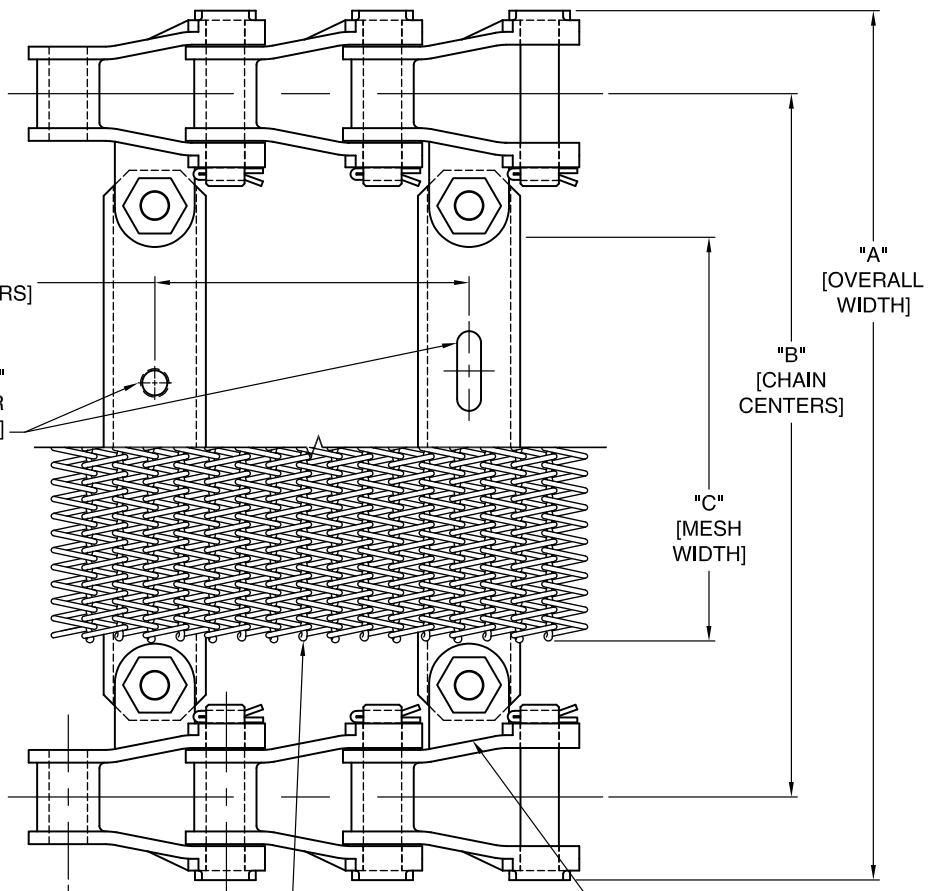


SPIRAL ENDS TRAIL, "LIKE FISH SCALES"



SELECT CHAIN DIRECTION

ACCOMPANYING DRAWINGS BSP-001, BSP-005 & PLT-001



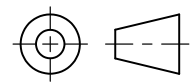
BELT SPECIFICATION

VARIABLES	DATA	MATERIAL
"A"		
"B"		
"C"		
"D"		
"E"		
"F"	B or PW	
CHAIN NUMBER		
MESH SPEC.		
NOTES: (IE. SIDE PLATES, FLIGHTS, ATTACHMENTS ETC.)		
PLEASE CIRCLE CRITICAL DIMENSION		
"A"	"B"	"C"

NOTES:

1. THIS DRAWING IS INTENDED SOLELY FOR LAYOUT PURPOSES. IT IS THE RESPONSIBILITY OF THE CUSTOMER TO RELAY ANY IMPORTANT INFORMATION REGARDING ANY AND ALL DESIGN FEATURES OF DESIRED BELT.
2. PLEASE NOTE THAT WHEN SUPPORTS ARE TO BE BOLTED TO MESH, A MINIMAL AMOUNT OF PLUG WELDING IS REQUIRED TO SECURELY FASTEN THE MESH.

NOTICE:
THIS DRAWING IS THE PROPERTY OF THE WIRE MESH BELT COMPANY AND MAY NOT BE COPIED OR REPRODUCED IN ANY FORM, OR USED FOR MANUFACTURING PURPOSES OF ANY KIND WITHOUT THE EXPRESSED WRITTEN CONSENT OF THE WIRE MESH BELT COMPANY.



ALL DIMENSIONS ARE INCHES UNLESS OTHERWISE SPECIFIED

CUSTOMER INFORMATION	
P.O. #	
W.O.#	
TOLERANCE UNLESS OTHERWISE SPECIFIED	
DECIMAL .X ±.03	FRACTIONAL ± 1/16
.XX ±.015	
.XXX ±.005	ANGULAR ± 1/2°
.XXXX ±.0005	



WIRE MESH BELT COMPANY
170 SUMMERLEA ROAD, BRAMPTON, ONTARIO L6T 4X3
www.wiremeshbelt.com
"CUSTOM WOVEN BELTS SINCE 1966"

TITLE		REV	SCALE
BELT LAYOUT FOR PINTLE CHAIN w/ "A" ATTACHMENTS		0	N.T.S.
DATE	07/07/03	DRAWING	
DRAWN BY	MP	BL-004	